



*Stereophonic*  
**THE FISHER 600**  
**SERVICE**  
**MANUAL**

CHASSIS SERIAL NUMBERS  
 50001—59999 INCLUSIVE

**THE FISHER 600**



MODEL 600

CHASSIS SERIAL NUMBERS  
 50001—59999 INCLUSIVE

PRICE: \$1.00

FISHER RADIO CORPORATION • NEW YORK

(c) [www.fisherconsoles.com](http://www.fisherconsoles.com)





# PARTS DESCRIPTION LIST

## CAPACITORS

10% tolerance for all fixed capacitors, unless otherwise noted or marked GMV (guaranteed minimum value.)

Symbol	Description	Part No.
C1	Ceramic, 24uuf 5% N150, 1000V	C50070-8
C2	Ceramic, 100uuf N1500, 1000V	C50070-6
C3, 4	Ceramic, 8uuf ± .5uuf NPO, 500V	CC20CJ080D5
C5	Ceramic, Trimmer	C662-123
C6	AM Variable	Part of C9
C7	Ceramic, 100uuf N1500, 1000V	C50070-6
C8	FM Variable	C726-116
C9	AM Variable	C684-127
C10	Ceramic, Feedthru, .001 uf GMV	C592-187
C11	Ceramic, 100uuf N1500, 1000V	C50070-6
C12	Mylar, .047uf, 250V	C50197-52
C13	Ceramic, .001uf, 1000V	C50072-3
C14	Ceramic, Feedthru, .001uf GMV	C592-187
C15	Ceramic, 8uuf ± .5uuf NPO, 500V	CC20CJ080D5
C16	Ceramic, Trimmer	C662-123
C17	Ceramic, .02uf + 80 - 20%, 500V	C50089-4
C18	Molded, .01uf 20%, 600V	C2747
C19	Ceramic, 100uuf N1500, 1000V	C50070-6
C20	Ceramic, .02uf + 80 - 20%, 500V	C50089-4
C21	Ceramic, 68uuf N750, 500V	CC20UJ680K5
C22	Ceramic, 100uuf N1500, 1000V	C50070-6
C23	Ceramic, 900uuf 4%, 500V	CC21GP901J5
C24	Ceramic, .005uf 20%, 500V	C50089-1
C25	Ceramic, 5uuf ± .5uuf N220, 500V	CC20RH050D5
C26	Ceramic, Trimmer	C662-123
C27	Ceramic, .68uuf 20%, 500V	C50077-6N
C28	Ceramic, Feedthru, .001uf GMV	C592-187
C29	Ceramic, 24uuf 5% N150, 1000V	C50070-8
C30	Ceramic, 100uuf, N1500, 1000V	C50070-19
C31	Ceramic, 10uuf ± .5uuf NPO, 500V	CC20CH100D5
C32	Ceramic, .001uf, 1000V	C50072-3
C33	AM Variable	Part of C9
C34	Ceramic, 100uuf N1500, 1000V	C50070-6
C35	Ceramic, .005uf 20%, 500V	C50089-1
C36	Ceramic, 2.2uuf, 500V	C3039
C37	Electrolytic, four section: A: 40uf, 450V C: 20uf, 300V B: 40uf, 400V D: 20uf, 300V	C50180-12
C38	Ceramic, Feedthru, .001 GMV	C592-187
C39	Electrolytic, three section: A: 40uf, 300V C: 40uf, 250V B: 40uf, 250V	C670-125
C40	Ceramic, Feedthru, .001uf GMV	C592-187
C41	Ceramic, .02uf + 80 - 20%, 500V	C50089-4
C42	Ceramic, 100uuf N1500, 1000V	C50070-6
C43	Ceramic, .02uf + 80 - 20%, 500V	C50089-4
C44	Ceramic, .01uf 20%, 500V	C50089-3
C45	Ceramic, .005uf 20%, 500V	C50089-1
C46	Ceramic, .0027uf, 1000V	C50072-17
C47	Ceramic, .02uf + 80 - 20%, 500V	C50089-4
C48	Ceramic, Feedthru, .001uf GMV	C592-187
C49	Ceramic, .005uf 20%, 500V	C50089-1
C50	Ceramic, 10uuf NPO, 1000V	C50070-11
C51	AM Variable	Part of C9
C52	Ceramic, .02uf + 80 - 20%, 500V	C50089-4
C53	Ceramic, Feedthru, .001uf GMV	C592-187
C54	Ceramic, .02uf + 80 - 20%, 500V	C50089-4
C55, 56	Ceramic, .005uf 20%, 500V	C50089-1
C57	Ceramic, .0027uf, 1000V	C50072-17
C58	Ceramic, .02uf + 80 - 20%, 500V	C50089-4
C59	Ceramic, 10uuf NPO, 1000V	C50070-11
C60	Ceramic, .005uf 20%, 500V	C50089-1
C61	Ceramic, .0027uf, 1000V	C50072-17
C62, 63	Ceramic, .005uf 20%, 500V	C50089-1
C64, 65	Ceramic, 330uuf, 1000V	C50072-1
C66	Electrolytic, 8uf, 50V	C629-138
C67	Ceramic, .005uf 20%, 500V	C50089-1
C68	Ceramic, 330uuf, 1000V	C50072-1
C69	Ceramic, .01uf 20%, 500V	C50089-3
C70	Ceramic, .001uf, 1000V	C50072-3
C71	Mylar, .022uf, 250V	C50197-49
C72	Ceramic, 820uuf 5%, 500V	CC21GP821J5
C73	Ceramic, 220uuf, 1000V	C50072-20
C74	Mylar, .047uf, 250V	C50197-52
C75	Ceramic, .01uf 20%, 500V	C50089-3
C76, 77	Ceramic, .02uf + 80 - 20%, 500V	C50089-4
C78	Ceramic, .01uf 20%, 500V	C50089-3
C79	Ceramic, 29uuf N750, 1000V	C50070-27

C80	Electrolytic, four section: A: 10uf, 200V C: 30uf, 300V B: 10uf, 200V D: 30uf, 300V	C50180-1
C81, 82	Ceramic, .01uf 20%, 500V	C50089-3
C83	Ceramic, 29uuf N750, 1000V	C50070-27
C84, 85	Ceramic, .01uf 20%, 500V	C50089-3
C86, 87	Electrolytic, 25uf, 6V	C639-114
C102, 103	Mylar, .022uf, 250V	C50197-49
C104, 105	Ceramic, 47uuf N750, 1000V	C50070-4
C108	Mylar, .01uf, 250V	C50197-48
C110	Mylar, .01uf, 250V	C50197-48
C114	Molded, .002uf, 200V	C68P202K2
C115	Ceramic, .001uf, 1000V	C50072-3
C116	Molded, .002uf, 200V	C68P202K2
C117	Ceramic, .001uf, 1000V	C50072-3
C118, 119	Electrolytic, 25uf, 6V	C639-114
C120, 121	Ceramic, 100uuf N1500, 1000V	C50070-6
C122	Ceramic, 2uuf NPO, 1000V	C50070-23
C123, 124	Ceramic, 68uuf N2200, 1000V	C50070-12
C125	Ceramic, 2uuf NPO, 1000V	C50070-23
C128	Electrolytic, 25uf, 6V	C639-114
C129	Ceramic, 680uuf, 1000V	C50072-2
C130, 131	Mylar, .022uf, 250V	C50197-49
C134	Electrolytic, 25uf, 6V	C639-114
C135	Ceramic, 680uuf, 1000V	C50072-2
C136, 137, 138, 139	Molded, .1uf, 20%, 400V	C50197-32
C140, 142	Mylar, .01uf, 250V	C50197-48
C141, 143	Ceramic, 18uuf N470, 1000V	C50070-13
C144	Electrolytic, 100uf, 100V	C663-143
C145	Ceramic, 5uuf ± .5uuf N150, 500V	CC20PJ050D5
C146	Ceramic, 47uuf N750, 1000V	C50070-6
C147, 148	Ceramic, 33uuf N750, 1000V	C50070-15
C149, 150	Ceramic, .005uf 20%, 500V	C50089-1
C151	Ceramic, .02uf, ± 80 - 20%, 500V	C50089-4

## RESISTORS AND POTENTIOMETERS

In ohms, 10% tolerance, 1/2 watt, unless otherwise noted. K=kilohm, M=megohm.

Symbol	Description	Part No.
R1	Composition, 270	RC20BF271K
R2	Composition, 1K	RC20BF102K
R3	Composition, 4.7	RC20BF47K
R4, 5	Composition, 330K	RC20BF334K
R6	Composition, 100K	RC20BF104K
R7, 8	Composition, 2.2M	RC20BF225K
R9	Composition, 100	RC20BF101K
R10	Composition, 22	RC20BF220K
R11	Composition, 2.2K	RC20BF222K
R12	Composition, 47K	RC20BF473K
R13	Composition, 1K	RC20BF102K
R15	Composition, 470K	RC20BF474K
R16	Composition, 1K	RC20BF102K
R17	Composition, 4.7	RC20BF47K
R18	Composition, 820K	RC20BF824K
R19	Wirewound, 280 7W	R720-221
R20	Potentiometer, Wirewound, 500	R720-219
R21	Wirewound, 50, 5W	R556-142
R22	Potentiometer, Wirewound, 500	R720-219
R23	Composition, 150	RC20BF151K
R24	Composition, 150	RC20BF151K
R25	Wirewound, 220, 5W	R551-137
R26	Wirewound, 2200, 7W	R563-148
R27	Composition, 47K	RC20BF473K
R28	Wirewound, 220, 5W	R551-137
R29	Composition, 68K	RC20BF683K
R30	Composition, 1M	RC20BF105K
R31	Composition, 33K, 1W	RC30BF333K
R32	Composition, 1K	RC20BF102K
R33	Composition, 1K, 1W	RC30BF102K
R34	Composition, 3.3M	RC20BF335K
R35	Composition, 22K, 1W	RC30BF223K
R36	Composition, 150	RC20BF151K
R37	Composition, 1K	RC20BF102K
R38	Composition, 270	RC20BF271K
R39	Composition, 47K	RC20BF473K
R40	Composition, 270	RC20BF271K
R41	Composition, 1K	RC20BF102K
R42	Composition, 47K	RC20BF473K
R43	Composition, 180	RC20BF181K
R44, 45	Composition, 2.2M	RC20BF225K
R46	Composition, 82K	RC20BF823K
R47	Composition, 470K	RC20BF474K



R48 Composition, 1K  
R49 Composition, 47K, 1W  
R50 Composition, 47K  
R51 Composition, 1K  
R52 Composition, 270  
R53 Composition, 180K  
R54 Composition, 10M  
R55 Composition, 6.8K  
R56 Composition, 470K  
R57 Composition, 1K  
R58 Composition, 68K  
R59 Composition, 100K  
R60 Composition, 3.3M  
R61 Potentiometer, 250K  
R62 Composition, 6.8K  
R63 Composition, 1.5K  
R64, 65, 66, 67 Potentiometer, 250K  
R68, 69 Dep. Carbon, 220K, 5%, 1/3W  
R70, 71 Dep. Carbon, 4.7M, 5%, 1/3W  
R72 Composition, 47K  
R73 Composition, 22M  
R74 Composition, 1.8M  
R75 Composition, 3.3M  
R76 Dep. Carbon, 330K, 5%, 1/3W  
R77 Dep. Carbon, 2.7K, 5%, 1/3W  
R78 Composition, 10  
R79 Dep. Carbon, 330K, 5%, 1/3W  
R80 Dep. Carbon, 2.7K, 5%, 1/3W  
R81 Composition, 10  
R82 Composition, 47K  
R83 Composition, 22M  
R84 Composition, 1.8M  
R85 Composition, 3.3M  
R86 Composition, 100K  
R87 Composition, 1.2K  
R88 Composition, 10K  
R89, 91 Dep. Carbon, 100K, 5%, 1/3W  
R90 Composition, 10K  
R92 Composition, 100K  
R93 Composition, 1.2K  
R94 Potentiometer, Dual Bass, 1M  
R105 Potentiometer, Dual Treble, 1M  
R108, 109 Dep. Carbon, 470K, 5%, 1/3W  
R110 Composition, 10M  
R111, 114 Dep. Carbon, 4.7M, 5%, 1/3W  
R113 Composition, 10M  
R117 Composition, 10M  
R119 Composition, 10M  
R120, 121 Composition, 2.2M  
R122, 123 Composition, 220K  
R124 Composition, 2.2K  
R125, 126 Dep. Carbon, 100K, 5%, 1/3W  
R127 Composition, 2.2K  
R128 Potentiometer, Dual Balance, 300K  
R131 Composition, 4.7K  
R132 Potentiometer, Dual Volume, 500K  
R133 Composition, 4.7K  
R134, 135 Composition, 82K  
R136 Composition, 680K  
R137 Composition, 3.9K  
R138 Composition, 220  
R139 Composition, 5.6K  
R140 Composition, 680K  
R141 Composition, 3.9K  
R142 Composition, 220  
R143 Composition, 5.6K  
R144, 145 Composition, 68K, 5%, 1W  
R146, 147 Composition, 22K  
R148, 149 Composition, 68K, 5%, 1W  
R150, 151 Dep. Carbon, 330K, 5%, 1/3W  
R152 Composition, 10K  
R153, 154 Dep. Carbon, 330K, 5%, 1/3W  
R155 Composition, 10K  
R156 Composition, 2.7K, 1W  
R157 Composition, 2.2K  
R158 Composition, 5.6K  
R159 Composition, 4.7K  
R160 Composition, 2.2K  
R161 Composition, 2.7K, 1W  
R162, 163 Composition, 2.2K  
R164, 165 Composition, 12K  
R166 Composition, 470K  
R168 Composition, 1K

RC20BF102K  
RC30BF473K  
RC20BF473K  
RC20BF102K  
RC20BF271K  
RC20BF184K  
RC20BF106K  
RC20BF682K  
RC20BF474K  
RC20BF102K  
RC20BF683K  
RC20BF104K  
RC20BF335K  
R50160-3  
RC20BF682K  
RC20BF152K  
R50160-3  
R33DC224J  
R33DC475J  
RC20BF473K  
RC20BF226K  
RC20BF185K  
RC20BF335K  
R33DC334J  
R33DC272J  
RC20BF100K  
R33DC334J  
R33DC272J  
RC20BF100K  
RC20BF473K  
RC20BF226K  
RC20BF185K  
RC20BF335K  
RC20BF104K  
RC20BF122K  
RC20BF103K  
R33DC104J  
RC20BF103K  
RC20BF104K  
RC20BF122K  
R50160-19  
R50160-19  
R33DC474J  
RC20BF106K  
R33DC475J  
RC20BF106K  
RC20BF106K  
RC20BF106K  
RC20BF225K  
RC20BF224K  
RC20BF222K  
R33DC104J  
RC20BF222K  
R50160-49  
RC20BF472K  
R50160-17  
RC20BF472K  
RC20BF823K  
RC20BF684K  
RC20BF392K  
RC20BF221K  
RC20BF562K  
RC20BF684K  
RC20BF392K  
RC20BF221K  
RC20BF562K  
RC30BF683J  
RC20BF223K  
RC30BF683J  
R33DC334J  
RC20BF103K  
R33DC334J  
RC20BF103K  
RC30BF272K  
RC20BF222K  
RC20BF562K  
RC20BF472K  
RC20BF222K  
RC30BF272K  
RC20BF222K  
RC20BF123K  
RC20BF474K  
RC20BF102K

R169 Wirewound, 280 7W  
R170 Composition, 1.8M  
R171 Composition, 27K

R720-221  
RC20BF-185K  
RC20BF-273K

**COILS, CHOKES AND TRANSFORMERS**

Symbol	Description	Part No.
L1	Choke, 3.3 Micro Henries	L50066-8
L2	Coil, FM Antenna	L726-124
L3	Coil, AM Antenna	L721-139
L4	AM Ferrite Loop	L50210-24
L5	Choke, 1 Micro Henry	L50066-2
L6, 7	Choke, .56 Micro Henries	L50066-19
L8	Choke, RF	L629-180
L9	Coil, FM RF	L726-126
L10	Coil, FM Oscillator	L726-125
L11, 13	Choke, 1 Micro Henry	L50066-2
L12	Choke, .56 Micro Henries	L50066-19
L14	Choke, 1.2 Micro Henries	L50066-3
L15, 16, 17, 18	Choke, Filament Ferrite Bead	L592-189
L19	Coil, AM Oscillator	L50210-21
L20	Choke, 1.2 Micro Henries	L50066-3
L21	Coil, 10kc Filter	L644-120
T1	Transformer, Power	T720-215
T2, 3	Transformer, Output	T720-117
Z1	Transformer, FM IF	ZZ662-117
Z2	Transformer, FM IF	ZZ2987
Z3	Limiter Coil Assembly	L670-145
Z4	Transformer, FM Detector	ZZ592-170
Z5	Transformer, AM RF	L50210-23
Z6	Transformer, AM IF	ZZ50210-1
Z7	Transformer, AM IF	ZZ2984

**MISCELLANEOUS**

Symbol	Description	Part No.
F1	Fuse, 3.2 Ampere, Slo-Blo	F3319
PC1, 2	Printed Circuit, Phono Equalization	PC50187-3
C90, 91	390uuf 10 %	
C95, 96	560uuf 10 %	
C99, 100	1500uuf 10 %	
R98, 100	270K 10 %	
R99, 101	2M 20 %	
R106, 107	120K 10 %	
PC3, 4	Printed Circuit, High Frequency Filter	PC50187-2
C106, 107	220uuf 20 %	
C109, 111, 112, 113	100uuf 20 %	
R112, 115, 116, 118	100K 20 %	
PC5, 6	Printed Circuit, Tone	PC50187-4
C94, 97	220uuf 20 %	
C88, 92	1000uuf 20 %	
C89, 93	.022uf 20 %	
C95, 101	3300uuf 20 %	
R95, 102	220K 10 %	
R97, 104	18K 10 %	
I1, 2	Lamp, Dial Panel	I-50082-3
S1	Switch, Selector	S720-154
S2	Switch, Mono-Stereo	S720-151
S3	Switch, Slide	S50200-2
S4	Switch, Power	Part of R132
S5, 6, 7, 8, 9	Switch, Slide	S50200-2
CR1, 2	Diode, 1N542	V-1N542

**MECHANICAL PARTS**

Symbol	Description	Part No.
—	Dress Panel, Screened	A5720-114
—	FM Dial Pointer	A720-158
—	AM Dial Pointer	A720-159
—	Knob, Tuning	E50133-1
—	Knob, Selector and Mono-Stereo	E50133-2
—	Knob, Bass and Treble, Rear	E50153-1
—	Knob, Bass and Treble, Front	E50152
—	Knob, Volume and Balance	E50154-1
—	9-Pin Tube Shield	E3287
—	7-Pin Tube Shield	E3330
—	Speaker Terminal Strip	E50170-10
—	Plastic Leg	H657-145
—	Dial Glass	N720-113
—	Fuse Holder	X1036



# ALIGNMENT INSTRUCTIONS

## Read These Instructions With Extreme Care Before Attempting Alignment.

**CHASSIS:** Turn the station selectors completely counterclockwise, without forcing. Dial pointers should be at zero index mark on logging scale. If not, reset the dial pointers. Disconnect the external antennas and the antenna link. Set Ferrite Loop to normal position, parallel to rear panel. Set Volume Control to minimum (CCW.)

When using an oscilloscope for alignment, set the output level controls for no overload, as shown by the proper waveform shape.

**SIGNAL GENERATORS:** The signal generator equipment must be able to supply the following: FM RF modulated 30% ( $\pm 22.5$  KC deviation) at 400 cps; AM RF modulated 30% at 400 cps;

AM IF with 30KC sweep for AM bandwidth adjustment; audio oscillator accurately calibrated for 1 and 10KC audio output for testing the 10KC AM whistle filter.

**INDICATOR:** DC VTVM, AC VTVM, and scope for alignment. AC VTVM for 10 KC AM whistle filter adjustment.

**ALIGNMENT:** Allow the chassis and test instruments to warm up for at least fifteen minutes. Adjust the line voltage for 117 volts AC, 50-60 cycles. Use fully insulated tools: a small screwdriver for all trimming capacitors; a K-Tran tool for Z1, Z2, Z3, Z5, Z6 and Z7; a hex tool for Z4, L2, L9, L10 and L19. For AM alignment, short junction of C12 and R8 to ground.

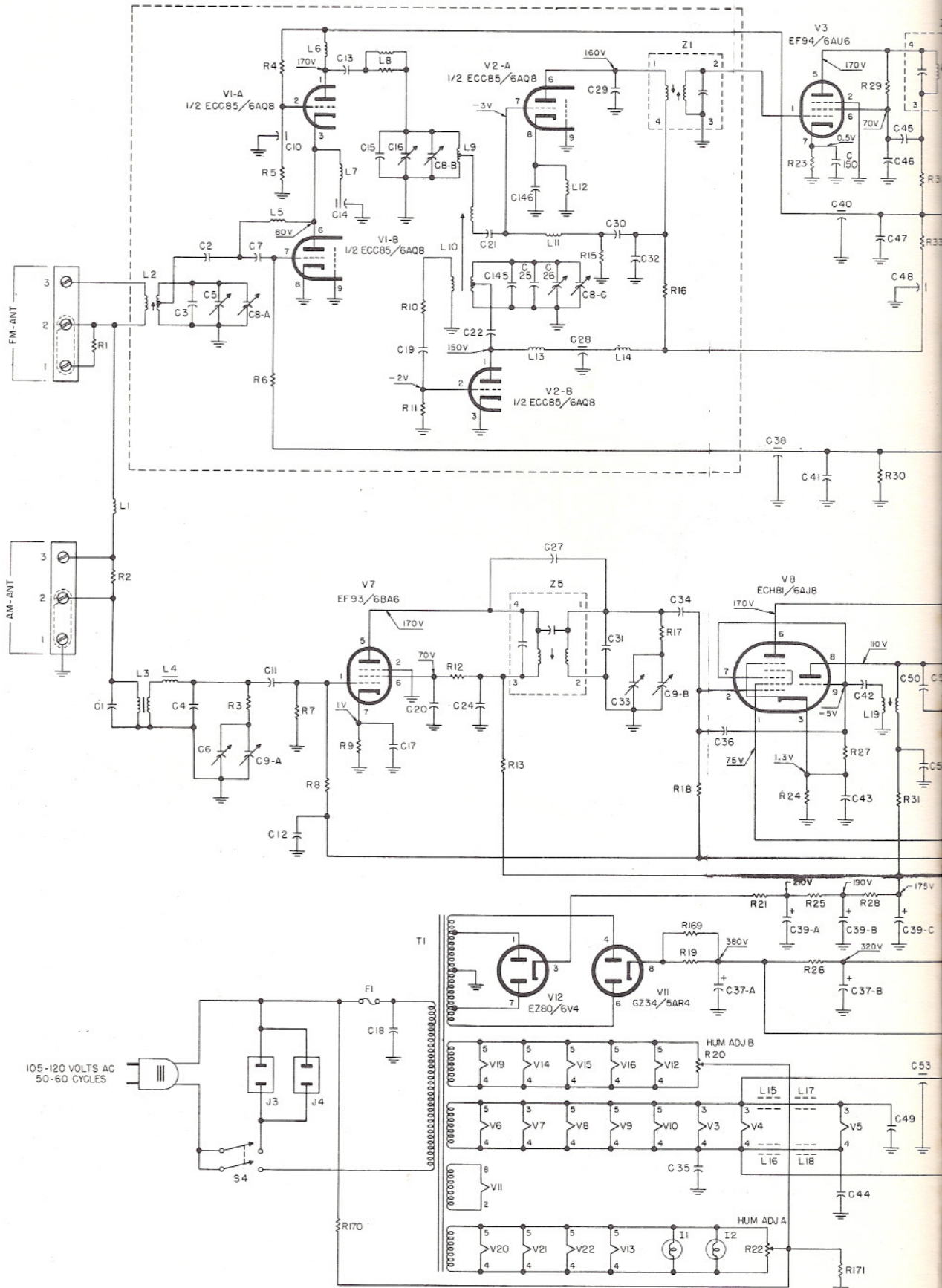
## AM ALIGNMENT

STEPS	CHASSIS			SIGNAL GENERATOR			INDICATOR		ALIGNMENT	
	AM BANDWIDTH	SELECTOR	STATION SELECTOR	COUPLING	FREQ.	MOD.	TYPE	CONNECTION	ADJUST	INDICATION
1	SHARP	AM	Point of no signal and no interference	Audio Gen. connected to Pin 3 of Z7	1 KC 10 KC	None	AC VTVM to Ch. B RCRDR Output			0 db at 1 KC — 25 db at 10 KC
2	SHARP	AM	Point of no signal and no interference	AM Gen. connected thru .01-uf cap. in series with hot lead to V8, Pin 2	455 KC	30% AM at 400 cps	AC VTVM to Ch. B RCRDR Output	Z6, Z7 top and bottom		Maximum voltage
3	BROAD	AM	Point of no signal and no interference	AM Gen. connected thru .01-uf cap. in series with hot lead to V8, Pin 2	455 KC	30 KC sweep	Scope to Ch. B RCRDR Output	Z6 bottom		Adjust slightly for symmetrical curve
4	SHARP	AM	600 KC	AM Gen. connected thru 220-uuf cap. in series with hot lead to antenna terminal 3 Disconnect link between 1 & 2	600 KC	30% AM at 400 cps	AC VTVM to Ch. B RCRDR Output	L19, Z5		Maximum voltage
5	SHARP	AM	1400 KC	AM Gen. connected thru 220-uuf cap. in series with hot lead to antenna terminal 3 Disconnect link between 1 & 2	1400 KC	30% AM at 400 cps	AC VTVM to Ch. B RCRDR Output	C51, C6 C33		Maximum voltage
6	Repeat steps 4 and 5 for proper dial calibration and maximum output.									
7		FM	Point of no signal and no interference	FM Gen. connected to ungrounded tube shield of V2	10.7 MC	None	DC VTVM to junction of R57 and C66	Z1, Z2, Z3 and Z4, top & bottom		Maximum negative voltage
8		FM	Point of no signal and no interference	FM Gen. connected to ungrounded tube shield of V2	10.7 MC	None	Connect two 47K ohm resistors in series across C66. Connect a VTVM between the junction of the two 47K ohm resistors and the junction of R58, C70.	Z4 top		Zero reading on zero center scale
9		FM	90 MC	FM Gen. connected thru two 120-ohm carbon resistors in series with lead to antenna terminals 2 and 3	90 MC	30% FM (22.5 KC Dev.) at 400 cps	DC VTVM to the junction of R34 and R30 and scope to Ch. A. RCRDR Output	L2, L9, L10		Check for sine waveform and adjust for maximum negative voltage
10		FM	106 MC	FM Gen. connected thru two 120-ohm carbon resistors in series with lead to antenna terminals 2 and 3	106 MC	30% FM (22.5 KC Dev.) at 400 cps	DC VTVM to the junction of R34 and R30 and scope to Ch. A. RCRDR Output	C5, C16 and C26		Check for sine waveform and adjust for maximum negative voltage
11	Repeat steps 9 and 10 at least once for proper dial calibration and maximum output.									
<b>NOTE:</b> For calibrating both the AM and FM, use as low an output voltage as possible from your signal generator.										

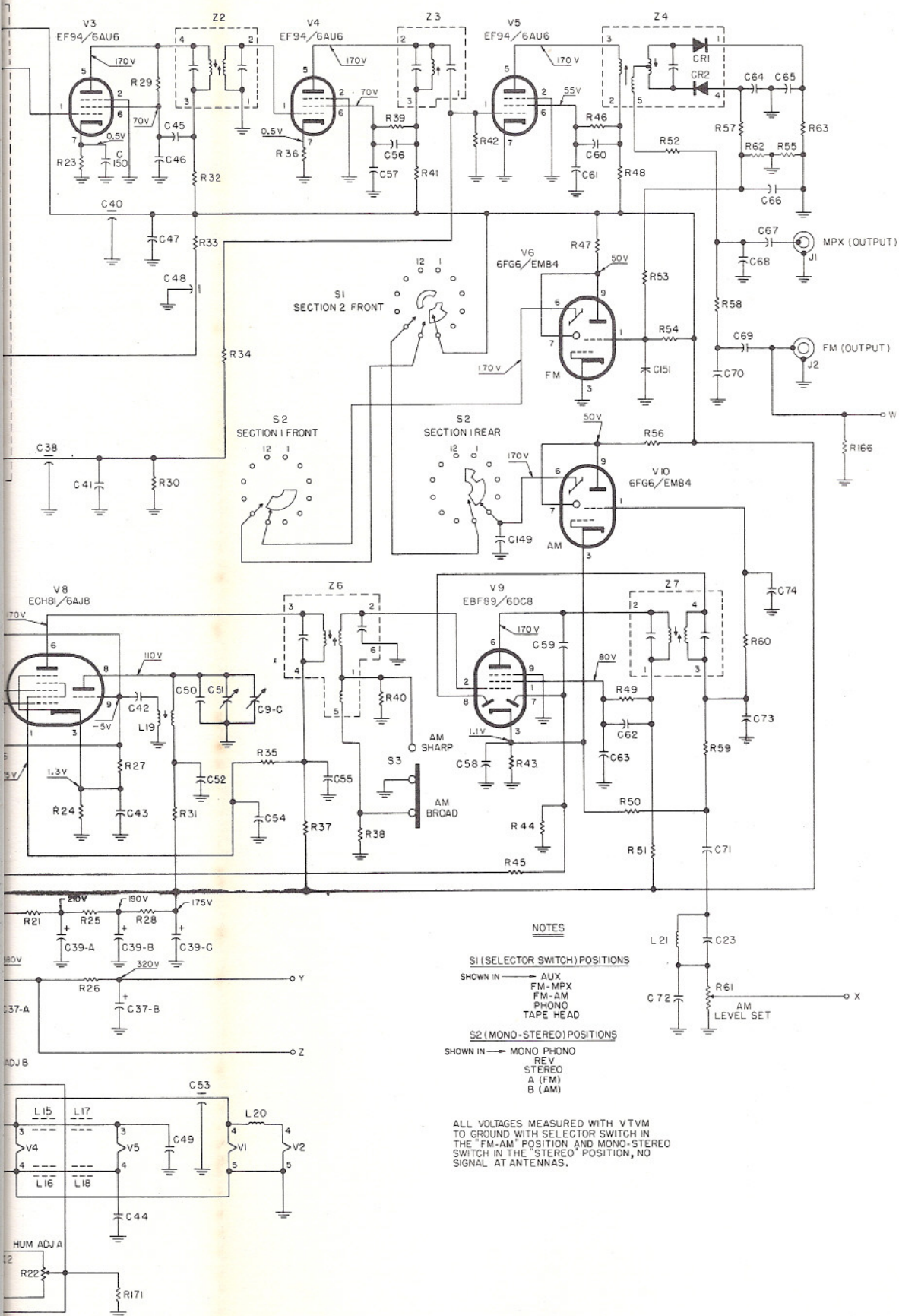
## FM ALIGNMENT



# SCHEMATIC DIAGRAM • TUNER SECTION



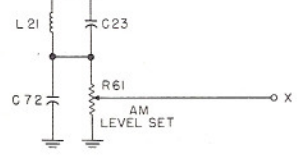
RESISTORS	R1 TO R6	R170	R7 TO R12	R13	R15 TO R20	R169	R21 TO R31	R171
CAPACITORS	C1 TO C11 C8-A C9-A	C12 TO C24	C8-B	C145 C146 C25 TO C35	C8-C	C9-B	C37-A C36 TO C49 C39-A C39-B C39-C	C37-B C39-C



**NOTES**

- S1 (SELECTOR SWITCH) POSITIONS**  
 SHOWN IN → AUX  
 FM-MPX  
 FM-AM  
 PHONO  
 TAPE HEAD
- S2 (MONO-STEREO) POSITIONS**  
 SHOWN IN → MONO PHONO  
 REV  
 STEREO  
 A (FM)  
 B (AM)

ALL VOLTAGES MEASURED WITH VTVM TO GROUND WITH SELECTOR SWITCH IN THE "FM-AM" POSITION AND MONO-STEREO SWITCH IN THE "STEREO" POSITION, NO SIGNAL AT ANTENNAS.

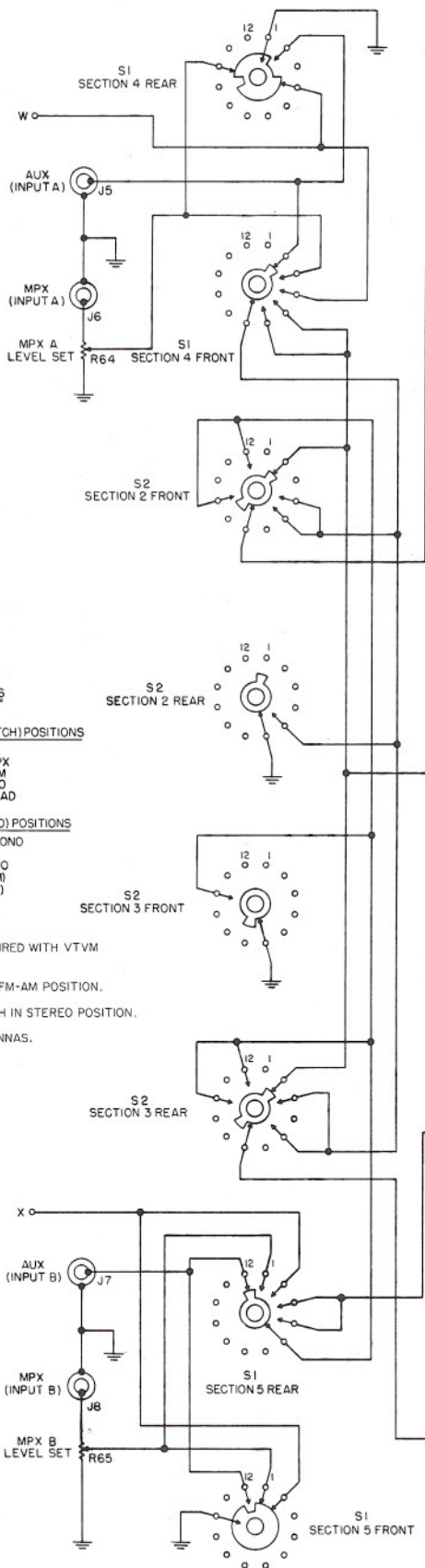


R 21 TO R 31 C 36 TO C 49 C 39-A C 39-B C 39-C	R 32 TO R 40 C 50 TO C 57	R 41 TO R 47 C 58 TO C 61 C 49	R 48 TO R 63 C 62 TO C 74 C 23	R 55 R 166
--	------------------------------	-----------------------------------	--------------------------------------	---------------



# SCHEMATIC DIAGRAM • AMPLIFIER SECTION

CHANNEL A



NOTES

S1 (SELECTOR SWITCH) POSITIONS

SHOWN IN → AUX  
 FM - MPX  
 FM - AM  
 PHONO  
 TAPE HEAD

S2 (MONO - STEREO) POSITIONS

SHOWN IN → MONO PHONO  
 REV  
 STEREO  
 A (FM)  
 B (AM)

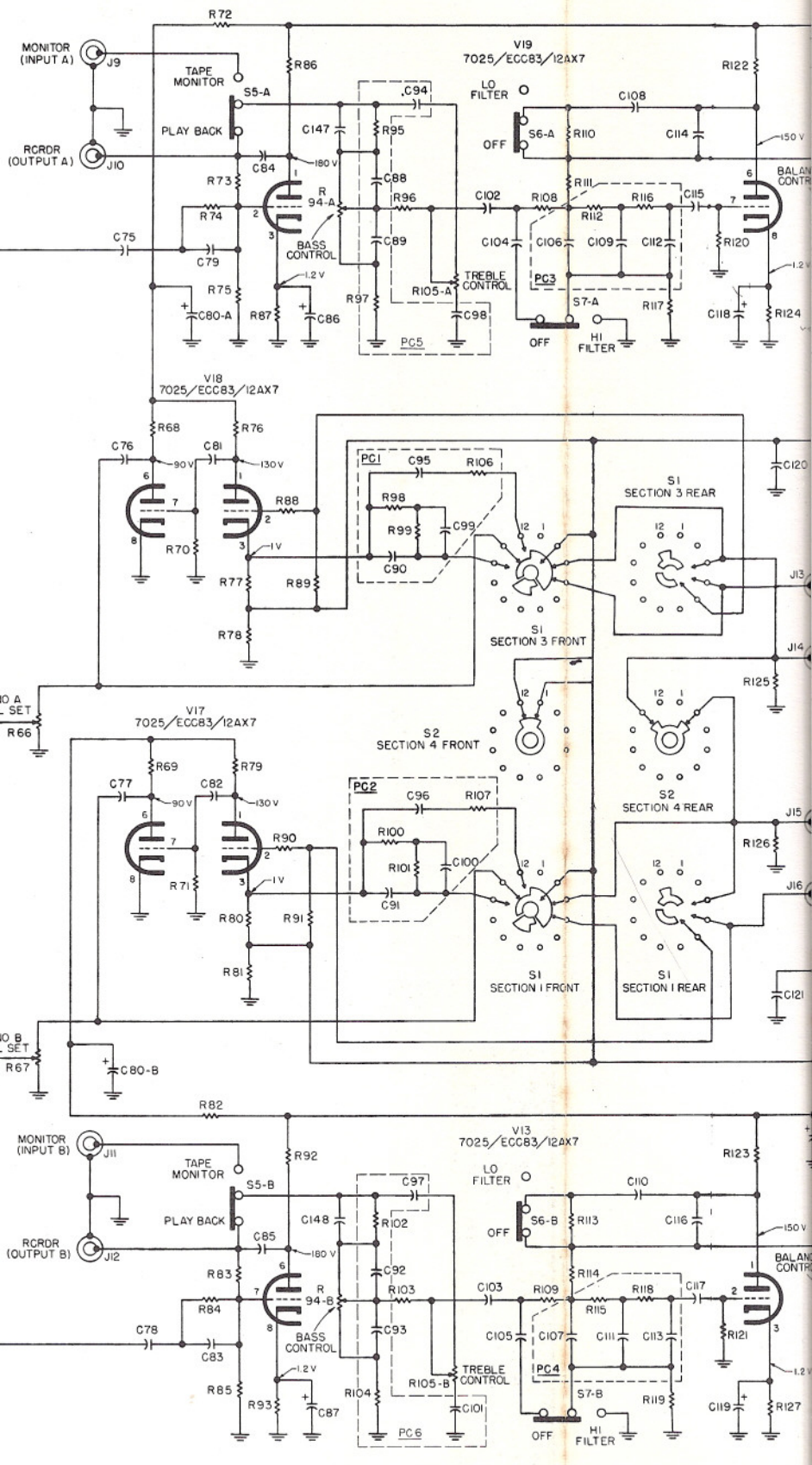
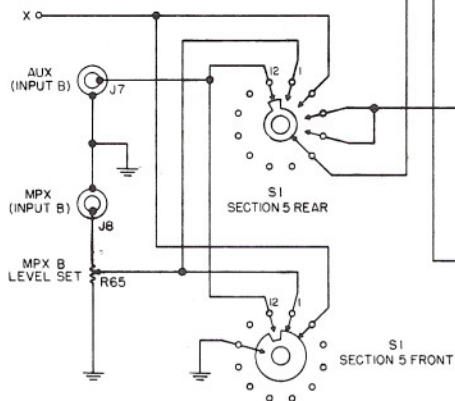
ALL VOLTAGES MEASURED WITH VTVM TO GROUND.

SELECTOR SWITCH IN FM-AM POSITION.

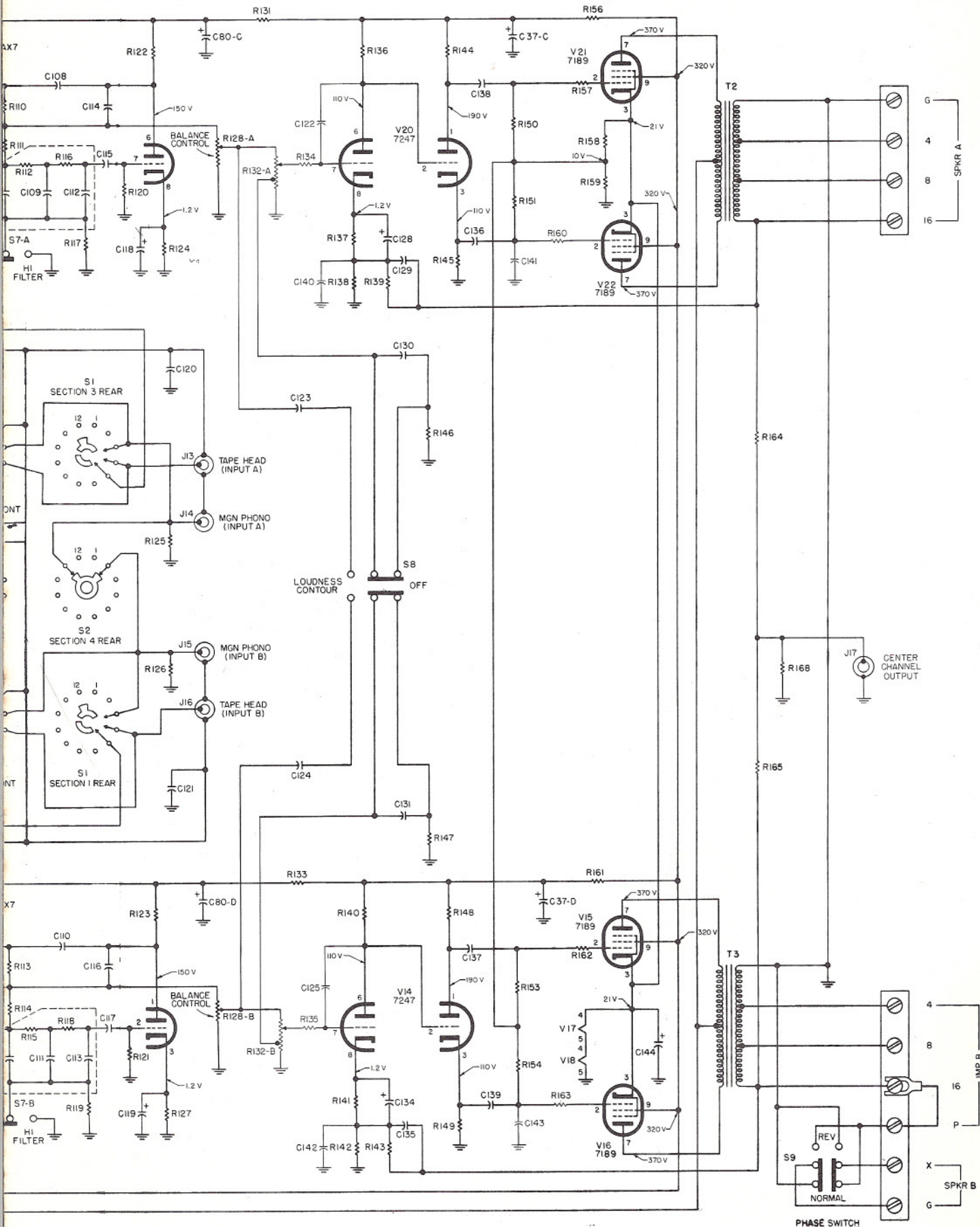
MONO - STEREO SWITCH IN STEREO POSITION.

NO SIGNALS AT ANTENNAS.

CHANNEL B



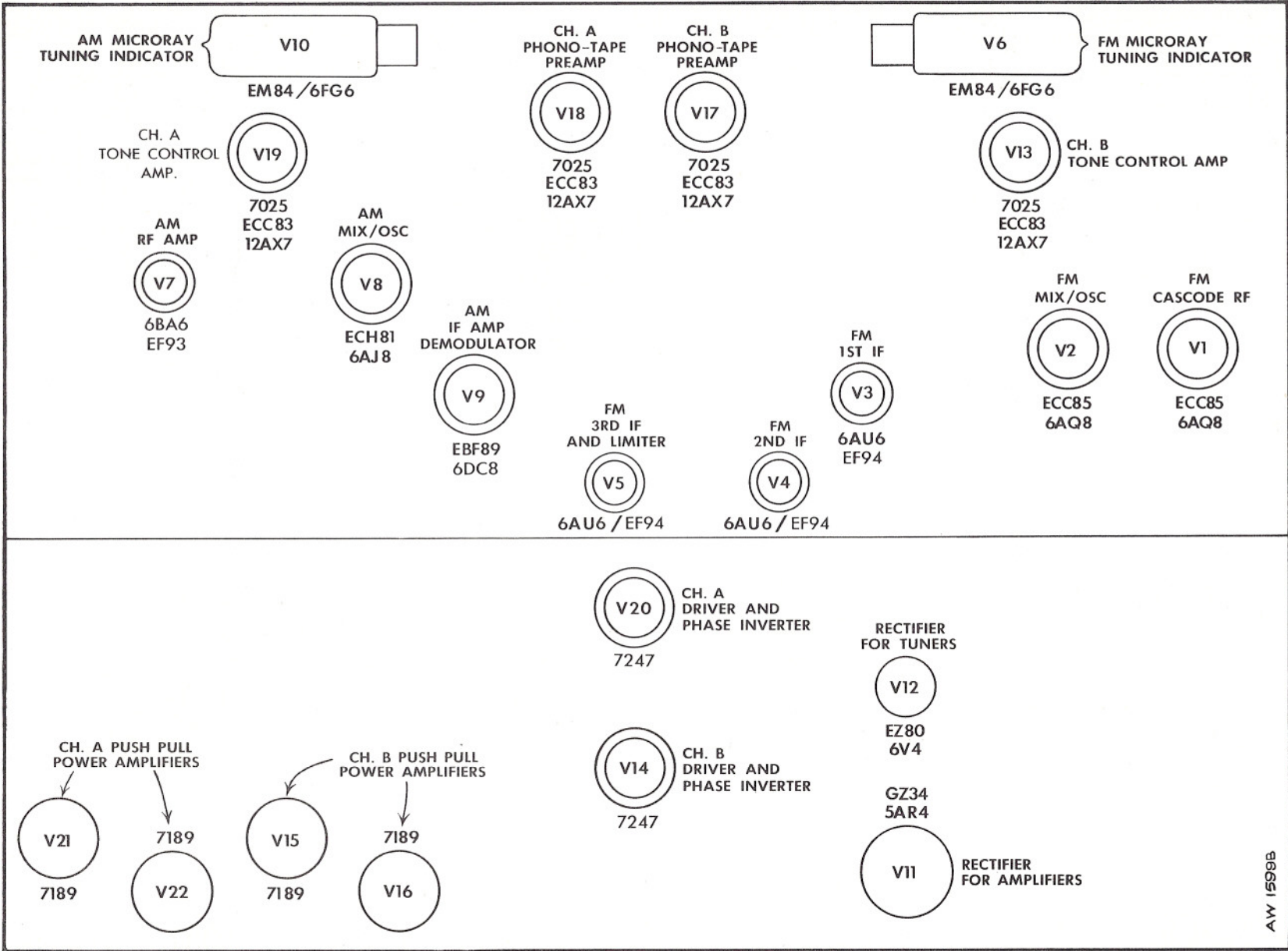
RESISTORS	R64 R65	R66 R67	R68 TO R104 R94-A R94-B	R105-A R105-B	R106 TO R119	R120 TO R133
CAPACITORS	C75 C80-A	C76 C77 C80-B	C78 C83 C84 C85 C86 C87 C88 C89 C90 C91 C92 C93 C94 C95 C96 C97 C98 C99 C100	C101 C102 C103 C104 C105 C106 C107 C108 C109 C110 C111 C112 C113 C114 C115 C116 C117 C118 C119 C120 C121 C122 C123 C124 C125 C126 C127 C128 C129 C130	C131 C132 C133 C134 C135 C136 C137 C138 C139 C140 C141 C142 C143 C144 C145 C146 C147 C148 C149 C150	C151 C152 C153 C154 C155 C156 C157 C158 C159 C160 C161 C162 C163 C164 C165 C166 C167 C168 C169 C170 C171 C172 C173 C174 C175 C176 C177 C178 C179 C180 C181 C182 C183 C184 C185 C186 C187 C188 C189 C190 C191 C192 C193 C194 C195 C196 C197 C198 C199 C200



R120 TO R131	R128-A R128-B	R132-A R132-B	R133 TO R149	R150 TO R165	R168
C112 TO C121	C80-C C80-D	C122 TO C137	C37-C	C138 TO C144	



TUBE LAYOUT



AW 1598B





**FISHER RADIO CORPORATION • NEW YORK**

N 720-108A (c) [www.fisherconsoles.com](http://www.fisherconsoles.com)

686-W12C-40